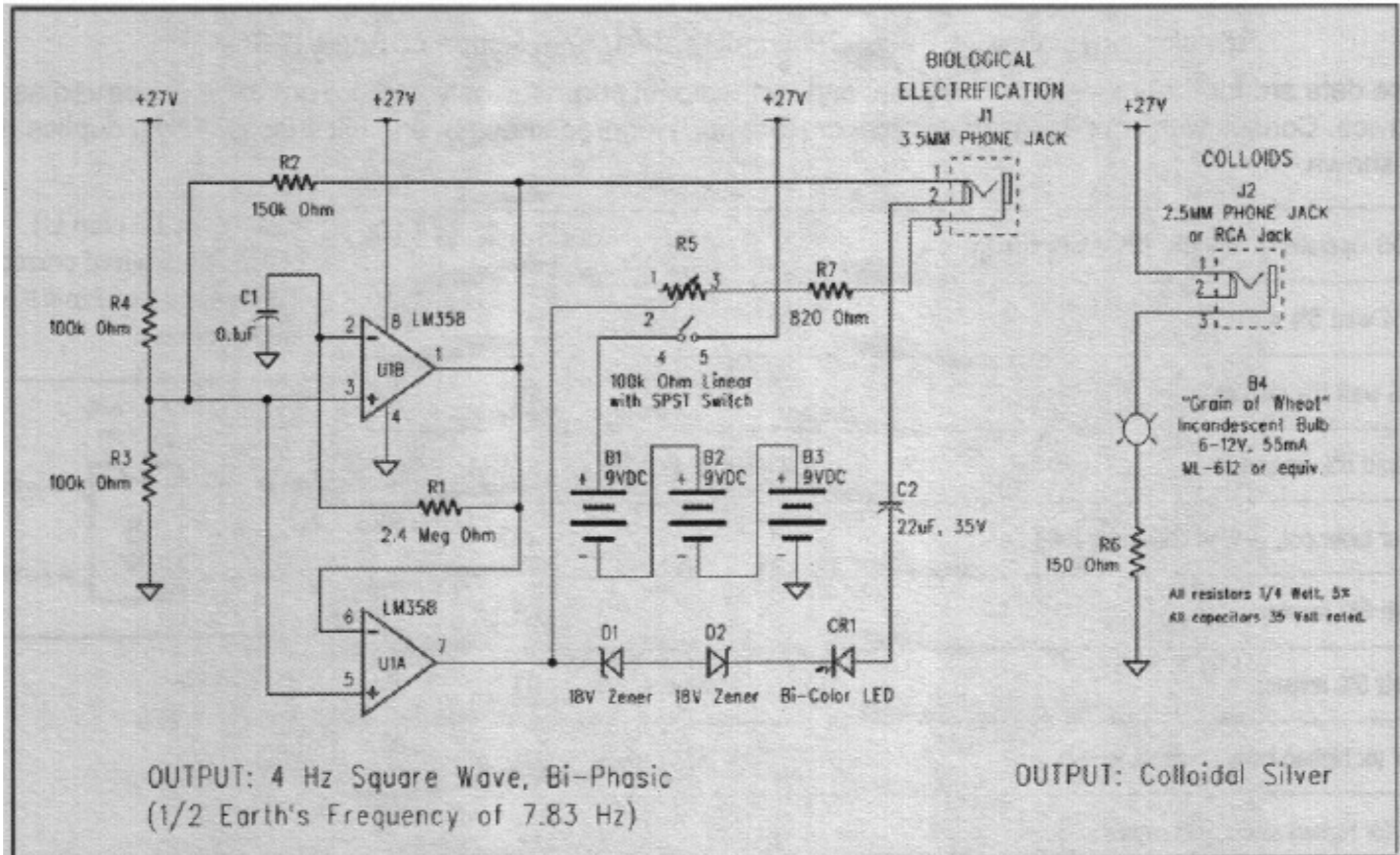


ORIGINAL BOB BECK DESIGN



ORIGINAL BOB BECK DESIGN

PARTS LIST

- SWITCH/POT 100K LINEAR

RESISTORS

- 150 Ohm
- 820 Ohm
- 100K (2x)
- 150 K
- 2.4 M

CAPACITORS

- 0.1 uF, 50V
- 22 uF, 35V

DIODES

- 18V Zener (2x)

- LED Bicolor Bipolar

- mini BULB 12V, Grain of Wheat

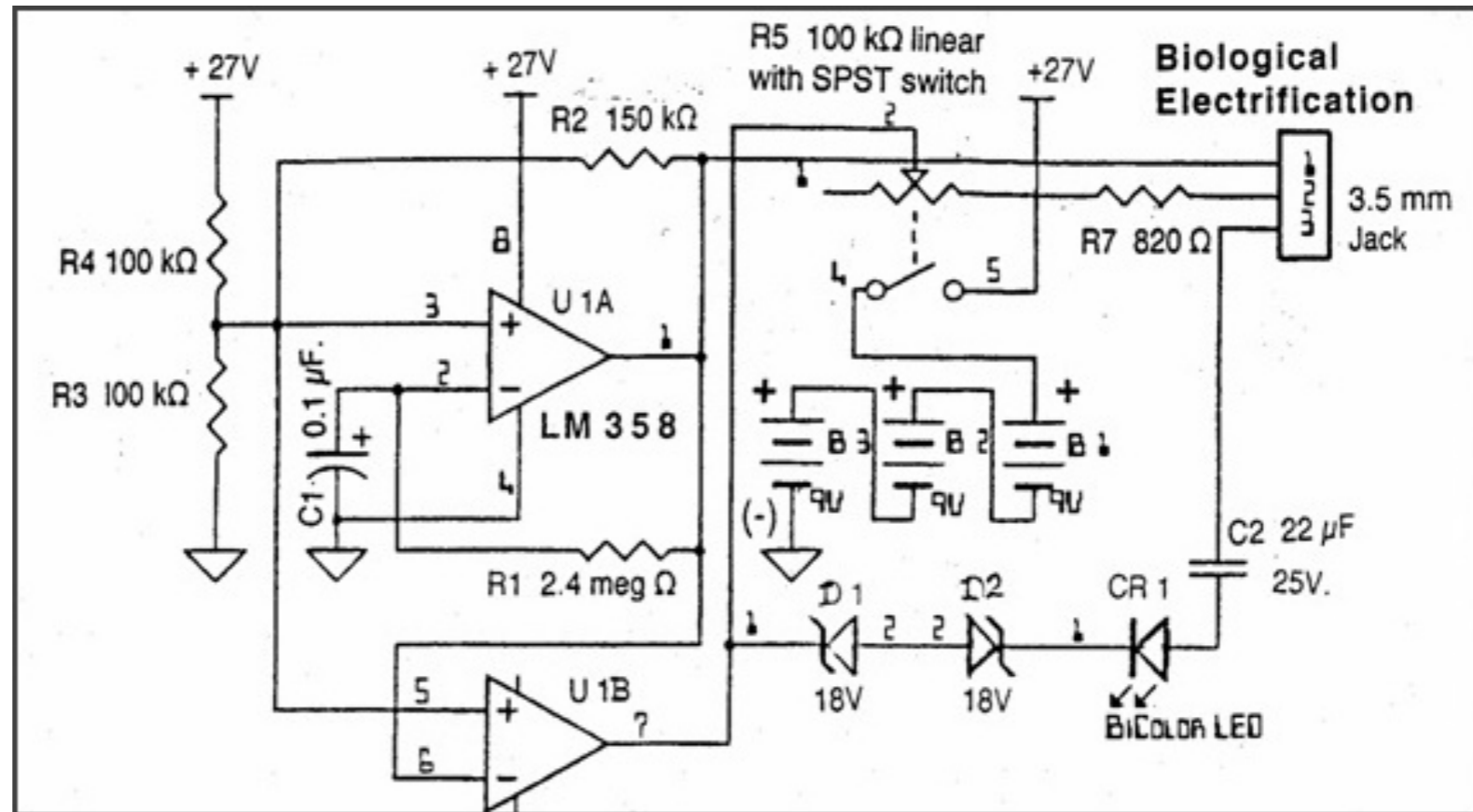
- I.C. LM358

- 3.5" minijack stereo female socket

- 3.5" minijack stereo male plug

- 3.5" minijack mono female socket

- 3.5" minijack mono male plug



Bob Beck's Blood Electrifier + Colloidal Silver Maker ::: Circuit / Device

